

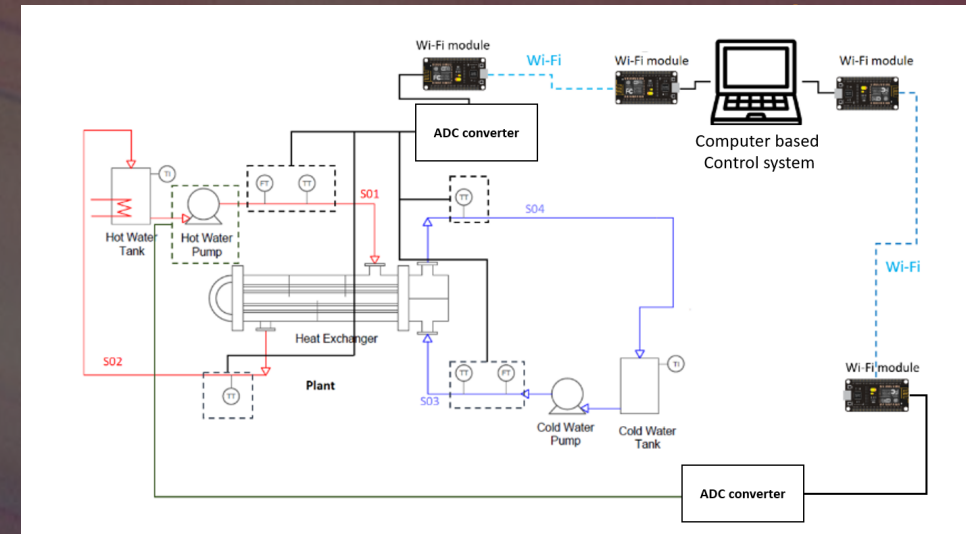


MOHD FAUZI ZANIL

Department of Chemical and Petroleum Engineering

Email : mohdfauzi@ucsiuniversity.edu.my

Handphone : +60196951431



Areas of Industrial Collaboration

- Artificial intelligent and machine learning
- Process control, modelling and optimization
- Renewable energy

Community Service Projects

- Fuel from biomass
- Solar thermal solution
- Virtual lab for process control
- Thermal spectroscopic

Consultancy Services

- Anaerobic digester in biogas production
- HVAC technology for solar thermal solution
- Application & Fundamental of Artificial intelligent and machine learning
- Simulation and Modelling of Hydrogen/Hydrocarbon

Awards and Recognitions

- Malaysia Cheme-E Car Competition – Chairman for the year 2021.
- Champion for 1st National Process Control Competition at University Teknologi Petronas, 2017